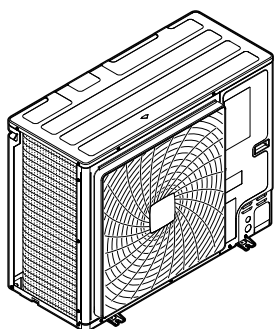




# Installation manual

## Sky Air Alpha-series



RZAG71N2V1B  
RZAG100N2V1B  
RZAG125N2V1B  
RZAG140N2V1B

RZAG71N2Y1B  
RZAG100N2Y1B  
RZAG125N2Y1B  
RZAG140N2Y1B

Installation manual  
Sky Air Alpha-series

English

	A~E	$H_B$ $H_D$ $H_U$	(mm)						
			a	b	c	d	e	$e_B$	$e_D$
	B	—		$\geq 100$					
	A, B, C	—	$\geq 100^{(1)}$	$\geq 100$	$\geq 100$				
	B, E	—		$\geq 100$			$\geq 1000$	$\leq 500$	
	A, B, C, E	—	$\geq 150^{(1)}$	$\geq 150$	$\geq 150$		$\geq 1000$	$\leq 500$	
	D	—					$\geq 500$		
	D, E	—					$\geq 500$	$\geq 1000$	$\leq 500$
	B, D	$H_D > H_U$		$\geq 100$			$\geq 500$		
		$H_D \leq H_U$		$\geq 100$			$\geq 500$		
	B, D, E	$H_D > H_U$	$H_B \leq \frac{1}{2}H_U$	$\geq 250$			$\geq 750$	$\geq 1000$	$\leq 500$
			$\frac{1}{2}H_U < H_B \leq H_U$	$\geq 250$			$\geq 1000$	$\geq 1000$	$\leq 500$
		$H_B > H_U$				⊘			
$H_D \leq H_U$		$H_D \leq \frac{1}{2}H_U$	$\geq 100$			$\geq 1000$	$\geq 1000$		$\leq 500$
		$\frac{1}{2}H_U < H_D \leq H_U$	$\geq 200$			$\geq 1000$	$\geq 1000$		$\leq 500$
	$H_D > H_U$				⊘				

	A, B, C	—	$\geq 200^{(1)}$	$\geq 300$	$\geq 1000$					
	A, B, C, E	—	$\geq 200^{(1)}$	$\geq 300$	$\geq 1000$		$\geq 1000$		$\leq 500$	
	D	—					$\geq 1000$			
	D, E	—					$\geq 1000$	$\geq 1000$	$\leq 500$	
	B, D	$H_D > H_U$		$\geq 300$				$\geq 1000$		
			$H_D \leq H_U$					$\geq 1000$		
			$H_D \leq \frac{1}{2}H_U$	$\geq 250$			$\geq 1500$			
		$\frac{1}{2}H_U < H_D \leq H_U$	$\geq 300$			$\geq 1500$				
	B, D, E	$H_D > H_U$	$H_B \leq \frac{1}{2}H_U$	$\geq 300$			$\geq 1000$	$\geq 1000$	$\leq 500$	
			$\frac{1}{2}H_U < H_B \leq H_U$	$\geq 300$			$\geq 1250$	$\geq 1000$	$\leq 500$	
		$H_B > H_U$				⊘				
$H_D \leq H_U$		$H_D \leq \frac{1}{2}H_U$	$\geq 250$			$\geq 1500$	$\geq 1000$		$\leq 500$	
		$\frac{1}{2}H_U < H_D \leq H_U$	$\geq 300$			$\geq 1500$	$\geq 1000$		$\leq 500$	
	$H_D > H_U$				⊘					

1

	$H_B$ $H_U$	$b$ (mm)
	$H_B \leq \frac{1}{2}H_U$	$b \geq 250$
	$\frac{1}{2}H_U < H_B \leq H_U$	$b \geq 300$
	$H_B > H_U$	⊘

2

<p><b>A1</b></p>	<p><b>A2</b></p>
<p><b>B1</b></p>	<p><b>B2</b></p>

3





## UKCA – Safety declaration of conformity

### Daikin Industries Czech Republic s.r.o.

declares under its sole responsibility that the products to which this declaration relates:

**RZAG71N2V1B\***, **RZAG100N2V1B\***, **RZAG125N2V1B\***, **RZAG140N2V1B\***,  
**RZAG71N2Y1B\***, **RZAG100N2Y1B\***, **RZAG125N2Y1B\***, **RZAG140N2Y1B\***,

\*E, 1, 2, 3, 9

are in conformity with the following directive(s) or regulation(s), provided that the products are used in accordance with our instructions:

- S.I. 2016/1105: Pressure Equipment (Safety) Regulations 2016\*\*
- S.I. 2008/1597: Supply of Machinery (Safety) Regulations 2008\*\*\*
- S.I. 2016/1091: Electromagnetic Compatibility Regulations 2016\*

as amended,

following the provisions of: BS EN 60335-2-40,

\* as set out in <A> and judged positively by <B> according to the **Certificate <C>**.

\*\* as set out in the Technical Construction File <D> and judged positively by <E> (Applied module <F>). <G>. Risk category <H>. Also refer to next page.

<A>	DAIKIN.TCF.033B4/03-2022
<B>	—
<C>	—
<D>	Daikin.TCFP.001
<E>	HPI-CEproof Ltd. (NB1521)
<F>	D1
<G>	—
<H>	II

\*\*\* DICz# is authorised to compile the Technical Construction File.

#DICz = Daikin Industries Czech Republic s.r.o.



**UKCA – Safety declaration of conformity**

continuation of previous page:

**Design Specifications of the products to which this declaration relates:**

Maximum allowable pressure (PS): **<K>** (bar)

Minimum/maximum allowable temperature (TS\*):

\* TSmin: Minimum temperature at low pressure side: **<L>** (°C)

\* TSmax: Saturated temperature corresponding with the maximum allowable pressure (PS): **<M>** (°C)

Refrigerant: **<N>**

Setting of pressure safety device: **<P>** (bar)

Manufacturing number and manufacturing year: refer to model nameplate

<b>&lt;K&gt;</b>	PS	41.5 bar
<b>&lt;L&gt;</b>	TSmin	-30 °C
<b>&lt;M&gt;</b>	TSmax	70 °C
<b>&lt;N&gt;</b>		R32
<b>&lt;P&gt;</b>		41.5 bar

Name and address of the Notified body that judged positively on compliance with the Pressure Equipment (Safety) Regulations: **<Q>**

<b>&lt;Q&gt;</b>	VINCOTTE nv Jan Olieslagerlaan 35 1800 Vilvoorde, Belgium
------------------	---

**DAIKIN**

Yasuto Hiraoka  
Managing Director  
Pilsen, 1st of September 2022

U Nové Hospody 11/1155, 301 00 Plzeň Skvrňany, Czech Republic



## Table of contents

<b>1</b>	<b>About this document</b>	<b>7</b>
<b>2</b>	<b>Specific installer safety instructions</b>	<b>7</b>
<b>3</b>	<b>About the box</b>	<b>10</b>
3.1	Outdoor unit.....	10
3.1.1	To remove the accessories from the outdoor unit.....	10
<b>4</b>	<b>Preparation</b>	<b>10</b>
4.1	Preparing the installation site .....	10
4.1.1	Installation site requirements of the outdoor unit .....	10
<b>5</b>	<b>Installation</b>	<b>10</b>
5.1	Mounting the outdoor unit.....	10
5.1.1	To provide the installation structure .....	10
5.1.2	To install the outdoor unit.....	10
5.1.3	To provide drainage.....	10
5.1.4	To prevent the outdoor unit from falling over .....	11
5.2	Connecting the refrigerant piping .....	11
5.2.1	To connect the refrigerant piping to the outdoor unit ..	11
5.3	Checking the refrigerant piping .....	13
5.3.1	Checking refrigerant piping: Setup.....	13
5.3.2	To check for leaks.....	13
5.3.3	To perform vacuum drying .....	13
5.4	Charging refrigerant .....	13
5.4.1	About charging refrigerant .....	13
5.4.2	About the refrigerant .....	14
5.4.3	Precautions when charging refrigerant .....	14
5.4.4	Definitions: L1~L7, H1, H2.....	14
5.4.5	Charging additional refrigerant.....	15
5.4.6	Completely recharging refrigerant.....	16
5.4.7	To fix the fluorinated greenhouse gases label .....	17
5.5	Connecting the electrical wiring.....	17
5.5.1	About electrical compliance .....	17
5.5.2	Guidelines when connecting the electrical wiring .....	17
5.5.3	Specifications of standard wiring components.....	17
5.5.4	To connect the electrical wiring to the outdoor unit.....	17
5.6	Finishing the outdoor unit installation .....	19
5.6.1	To finish the outdoor unit installation .....	19
5.6.2	To check the insulation resistance of the compressor .....	19
<b>6</b>	<b>Commissioning</b>	<b>19</b>
6.1	Checklist before commissioning .....	19
6.2	To perform a test run.....	19
6.3	Error codes when performing a test run .....	20
6.4	Dedicated field settings for technical cooling .....	20
<b>7</b>	<b>Disposal</b>	<b>20</b>
<b>8</b>	<b>Technical data</b>	<b>21</b>
8.1	Service space: Outdoor unit .....	21
8.2	Piping diagram: Outdoor unit.....	22
8.3	Wiring diagram: Outdoor unit .....	22

## 1 About this document

### Target audience

Authorised installers



### INFORMATION

This appliance is intended to be used by expert or trained users in shops, in light industry and on farms, or for commercial use by lay persons.

### Documentation set

This document is part of a documentation set. The complete set consists of:

- **General safety precautions:**
  - Safety instructions that you **MUST** read before installing
  - Format: Paper (in the box of the outdoor unit)
- **Outdoor unit installation manual:**
  - Installation instructions
  - Format: Paper (in the box of the outdoor unit)
- **Installer reference guide:**
  - Preparation of the installation, reference data, ...
  - Format: Digital files on <https://www.daikin.eu>. Use the search function to find your model.

Latest revisions of the supplied documentation may be available on the regional Daikin website or via your dealer.

The original documentation is written in English. All other languages are translations.

### Technical engineering data

- A **subset** of the latest technical data is available on the regional Daikin website (publicly accessible).
- The **full set** of latest technical data is available on the Daikin Business Portal (authentication required).

## 2 Specific installer safety instructions

Always observe the following safety instructions and regulations.

Installation site (see "**4.1 Preparing the installation site**" [p 10])



### WARNING

Follow the service space dimensions in this manual for correct installation of the unit. See "**8.1 Service space: Outdoor unit**" [p 21].



### WARNING

Tear apart and throw away plastic packaging bags so that nobody, especially children, can play with them. Possible risk: suffocation.



### CAUTION

Appliance NOT accessible to the general public, install it in a secured area, protected from easy access.

This unit, both indoor and outdoor, is suitable for installation in a commercial and light industrial environment.



### CAUTION

This equipment is NOT intended for use in residential locations and will NOT guarantee to provide adequate protection to radio reception in such locations.



### CAUTION

Excessive refrigerant concentrations in a closed room can lead to oxygen deficiency.

## 2 Specific installer safety instructions

### WARNING

If appliances contain R32 refrigerant, the floor area of the room in which the appliances are installed, operated and stored **MUST** be larger than the minimum floor area defined in table below A (m<sup>2</sup>). This applies to:

- Indoor units **without** a refrigerant leakage sensor; in case of indoor units **with** refrigerant leakage sensor, consult the installation manual
- Outdoor units installed or stored indoors (e.g. winter garden, garage, machinery room)

### WARNING

If one or more rooms are connected to the unit using a duct system, make sure:

- there are no operating ignition sources (example: open flames, an operating gas appliance or an operating electric heater) in case the floor area is less than the minimum floor area A (m<sup>2</sup>).
- no auxiliary devices, which may be a potential ignition source, are installed in the duct work (example: hot surfaces with a temperature exceeding 700°C and electric switching device);
- only auxiliary devices approved by the manufacturer are used in the duct work;
- air inlet AND outlet are connected directly to the same room by ducting. Do NOT use spaces such as a false ceiling as a duct for the air inlet or outlet.

### Opening the unit

#### DANGER: RISK OF BURNING/SCALDING

#### DANGER: RISK OF ELECTROCUTION

#### DANGER: RISK OF ELECTROCUTION

Do NOT leave the unit unattended when the service cover is removed.

### Mounting the outdoor unit (see "5.1 Mounting the outdoor unit" ▶ 10)

#### WARNING

Fixing method of the outdoor unit **MUST** be in accordance with the instructions from this manual. See "5.1 Mounting the outdoor unit" ▶ 10].

### Connecting the refrigerant piping (see "5.2 Connecting the refrigerant piping" ▶ 11)

#### WARNING

The field piping method **MUST** be in accordance with the instructions from this manual. See "5.2 Connecting the refrigerant piping" ▶ 11].

#### NOTICE

- Do NOT use mineral oil on flared part.
- Do NOT reuse piping from previous installations.
- NEVER install a drier to this unit to guarantee its lifetime. The drying material may dissolve and damage the system.

### CAUTION

Install the refrigerant piping or components in a position where they are unlikely to be exposed to any substance which may corrode components containing refrigerant, unless the components are constructed of materials that are inherently resistant to corrosion or are suitably protected against corrosion.

### WARNING

Take sufficient precautions in case of refrigerant leakage. If refrigerant gas leaks, ventilate the area immediately. Possible risks:

- Excessive refrigerant concentrations in a closed room can lead to oxygen deficiency.
- Toxic gas might be produced if refrigerant gas comes into contact with fire.

### WARNING

ALWAYS recover the refrigerant. Do NOT release them directly into the environment. Use a vacuum pump to evacuate the installation.

### WARNING

During tests, NEVER pressurise the product with a pressure higher than the maximum allowable pressure (as indicated on the nameplate of the unit).

### CAUTION

Do NOT vent gases into the atmosphere.

### WARNING

Any gas or oil remaining inside the stop valve may blow off the pinched piping.

Failure to observe the instructions in procedure below properly may result in property damage or personal injury, which may be serious depending on the circumstances.

### WARNING



NEVER remove the pinched piping by brazing.

Any gas or oil remaining inside the stop valve may blow off the pinched piping.

### Charging refrigerant (see "5.4 Charging refrigerant" ▶ 13)

#### WARNING

- The refrigerant inside the unit is mildly flammable, but normally does NOT leak. If the refrigerant leaks in the room and comes in contact with fire from a burner, a heater, or a cooker, this may result in fire, or the formation of a harmful gas.
- Turn OFF any combustible heating devices, ventilate the room, and contact the dealer where you purchased the unit.
- Do NOT use the unit until a service person confirms that the part from which the refrigerant leaked has been repaired.

#### WARNING

Charging of refrigerant **MUST** be in accordance with the instructions from this manual. See "5.4 Charging refrigerant" ▶ 13].



### WARNING

- Only use R32 as refrigerant. Other substances may cause explosions and accidents.
- R32 contains fluorinated greenhouse gases. Its global warming potential (GWP) value is 675. Do NOT vent these gases into the atmosphere.
- When charging refrigerant, ALWAYS use protective gloves and safety glasses.

Electrical installation (see ["5.5 Connecting the electrical wiring"](#) [p 17])

### WARNING

Electrical wiring connection method MUST be in accordance with the instructions from:

- This manual. See ["5.5 Connecting the electrical wiring"](#) [p 17].
- The wiring diagram of the outdoor unit, which is delivered with the unit, located on the inside of the top plate. For a translation of its legend, see ["8.3 Wiring diagram: Outdoor unit"](#) [p 22].

### CAUTION

Do NOT push or place redundant cable length into the unit.

### WARNING

- If the power supply has a missing or wrong N-phase, equipment might break down.
- Establish proper earthing. Do NOT earth the unit to a utility pipe, surge absorber, or telephone earth. Incomplete earthing may cause electrical shock.
- Install the required fuses or circuit breakers.
- Secure the electrical wiring with cable ties so that the cables do NOT come in contact with sharp edges or piping, particularly on the high-pressure side.
- Do NOT use taped wires, stranded conductor wires, extension cords, or connections from a star system. They can cause overheating, electrical shock or fire.
- Do NOT install a phase advancing capacitor, because this unit is equipped with an inverter. A phase advancing capacitor will reduce performance and may cause accidents.

### WARNING

- All wiring MUST be performed by an authorised electrician and MUST comply with the applicable legislation.
- Make electrical connections to the fixed wiring.
- All components procured on-site and all electrical construction MUST comply with the applicable legislation.

### WARNING

If the supply cord is damaged, it MUST be replaced by the manufacturer, its service agent or similarly qualified persons in order to avoid a hazard.

### WARNING

ALWAYS use multicore cable for power supply cables.

### CAUTION

- When connecting the power supply: connect the earth cable first, before making the current-carrying connections.
- When disconnecting the power supply: disconnect the current-carrying cables first, before separating the earth connection.
- The length of the conductors between the power supply stress relief and the terminal block itself MUST be as such that the current-carrying wires are tautened before the earth wire is in case the power supply is pulled loose from the stress relief.

Commissioning (see ["6 Commissioning"](#) [p 19])

### WARNING

Commissioning method MUST be in accordance with the instructions from this manual. See ["6 Commissioning"](#) [p 19].

### CAUTION

**Do NOT perform the test operation while working on the indoor units.**

When performing the test operation, NOT ONLY the outdoor unit, but the connected indoor unit will operate as well. Working on an indoor unit while performing a test operation is dangerous.

### CAUTION

Do NOT insert fingers, rods or other objects into the air inlet or outlet. Do NOT remove the fan guard. When the fan is rotating at high speed, it will cause injury.

Troubleshooting

### WARNING

- When carrying out an inspection on the switch box of the unit, ALWAYS make sure that the unit is disconnected from the mains. Turn off the respective circuit breaker.
- When a safety device was activated, stop the unit and find out why the safety device was activated before resetting it. NEVER shunt safety devices or change their values to a value other than the factory default setting. If you are unable to find the cause of the problem, call your dealer.

### WARNING

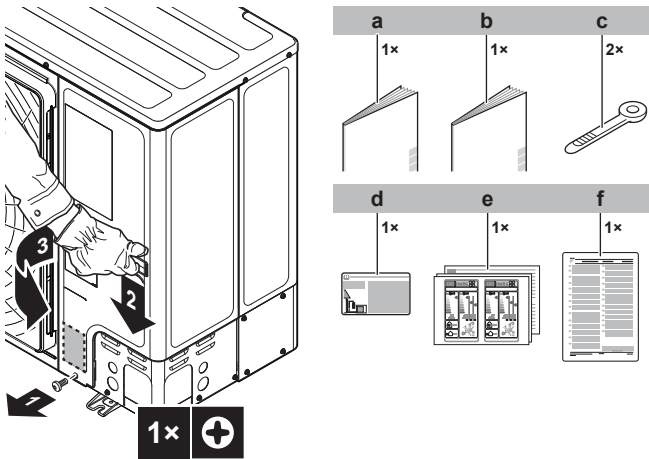
Prevent hazards due to inadvertent resetting of the thermal cut-out: power to this appliance MUST NOT be supplied through an external switching device, such as a timer, or connected to a circuit that is regularly turned ON and OFF by the utility.

## 3 About the box

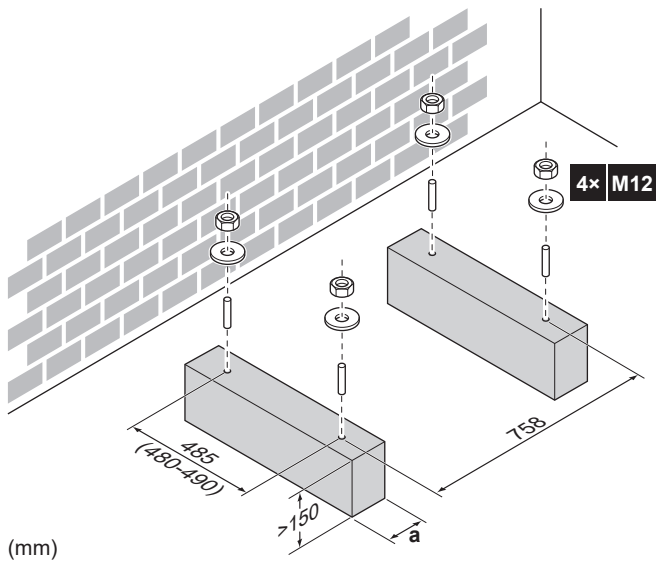
### 3 About the box

#### 3.1 Outdoor unit

##### 3.1.1 To remove the accessories from the outdoor unit



- a General safety precautions
- b Outdoor unit installation manual
- c Cable tie
- d Fluorinated greenhouse gases label
- e Energy label
- f Addendum (LOT21)

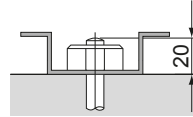


- a Make sure not to cover the drain holes of the bottom plate of the unit.



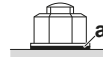
#### INFORMATION

The recommended height of the upper protruding part of the bolts is 20 mm.



#### NOTICE

Fix the outdoor unit to the foundation bolts using nuts with resin washers (a). If the coating on the fastening area is stripped off, the metal can rust easily.



## 4 Preparation

### 4.1 Preparing the installation site



#### WARNING

The appliance shall be stored in a room without continuously operating ignition sources (example: open flames, an operating gas appliance or an operating electric heater).

#### 4.1.1 Installation site requirements of the outdoor unit

Mind the spacing guidelines. See the "Technical data" chapter, and the figures on the inside of the front cover.



#### INFORMATION

The sound pressure level is less than 70 dBA.



#### CAUTION

Appliance NOT accessible to the general public. Install it in a secured area, protected from easy access.

This unit is suitable for installation in a commercial and light industrial environment.

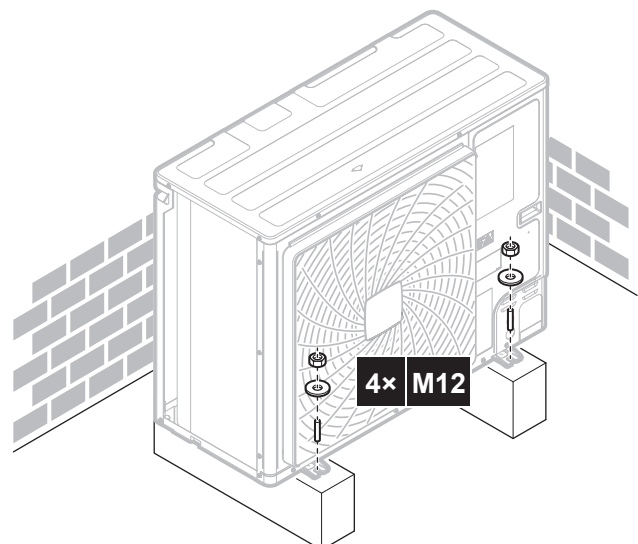
## 5 Installation

### 5.1 Mounting the outdoor unit

#### 5.1.1 To provide the installation structure

Prepare 4 sets of anchor bolts, nuts and washers (field supply) as follows:

#### 5.1.2 To install the outdoor unit



#### 5.1.3 To provide drainage



#### INFORMATION

If necessary, you can use a drain pan (field supply) to prevent drain water from dripping.



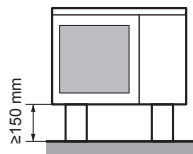
## NOTICE

If the unit CANNOT be installed fully level, always make sure that the inclination is towards the backside of the unit. This is required to guarantee proper drainage.

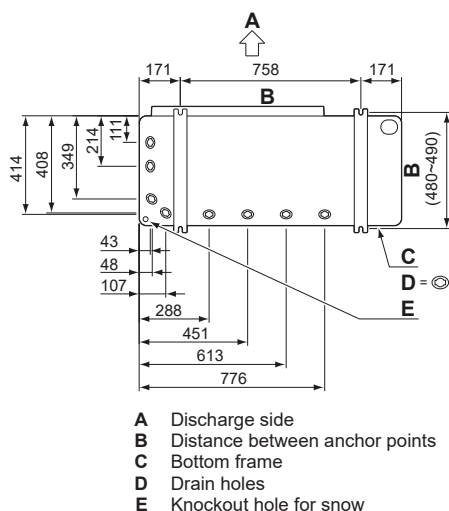


## NOTICE

If drain holes of the outdoor unit are covered by a mounting base or by floor surface, raise the unit to provide a free space of more than 150 mm under the outdoor unit.



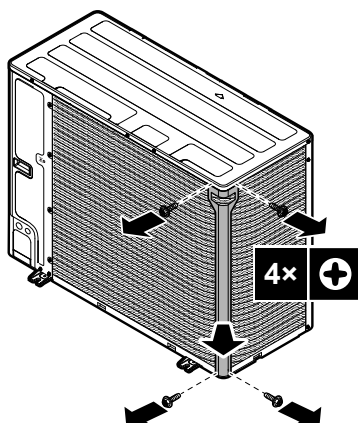
### Drain holes (dimensions in mm)



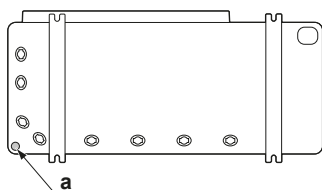
### Snow

In regions with snowfall, snow might build up and freeze between the heat exchanger and the casing of the unit. This might decrease the operating efficiency. To prevent this:

- 1 Remove the beam structure (see figure below).



- 2 Remove the knockout hole (a) by tapping on the attachment points with a flat head screwdriver and a hammer.



- 3 Remove the burrs, and paint the edges and areas around the edges using repair paint to prevent rusting.



## NOTICE

Precautions when making knockout holes:

- Avoid damaging the casing and underlying piping.
- After making the knockout holes, we recommend to remove the burrs and paint the edges and areas around the edges using repair paint to prevent rusting.
- When passing electrical wiring through the knockout holes, wrap the wiring with protective tape to prevent damage.



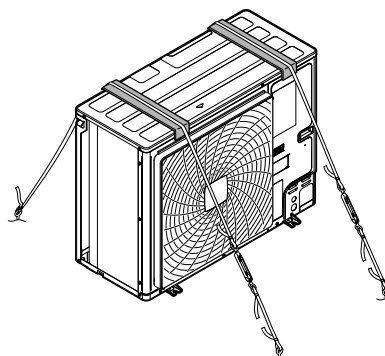
## INFORMATION

We suggest to install the optional bottom plate heater (EKBP140N7) when the unit is installed in cold climates.

### 5.1.4 To prevent the outdoor unit from falling over

In case the unit is installed in places where strong wind can tilt the unit, take following measure:

- 1 Prepare 2 cables as indicated in the following illustration (field supply).
- 2 Place the 2 cables over the outdoor unit.
- 3 Insert a rubber sheet between the cables and the outdoor unit to prevent the cables from scratching the paint (field supply).
- 4 Attach the ends of the cables.
- 5 Tighten the cables.



### 5.2 Connecting the refrigerant piping



**DANGER: RISK OF BURNING/SCALDING**

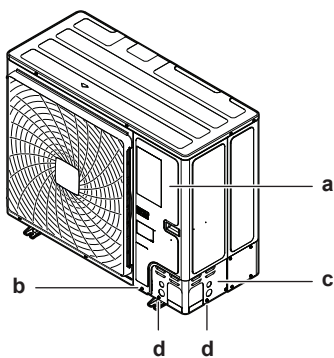
#### 5.2.1 To connect the refrigerant piping to the outdoor unit

- **Piping length.** Keep field piping as short as possible.
- **Piping protection.** Protect the field piping against physical damage.

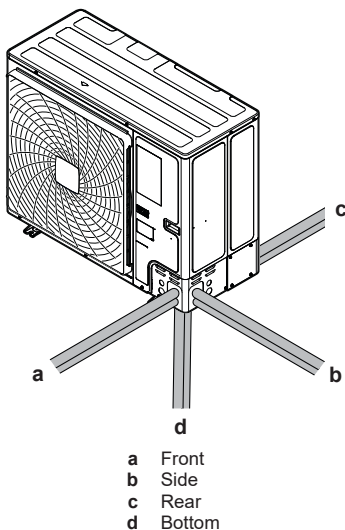
- 1 Do the following:

- Remove the service cover (a) with screw (b).
- Remove the piping intake plate (c) with screws (d).

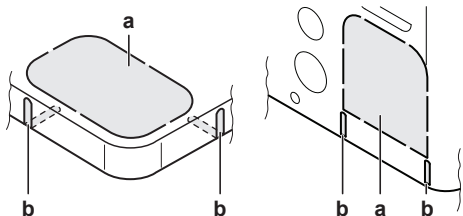
## 5 Installation



2 Choose a piping route (a, b, c or d).



### **i** INFORMATION



- Remove the knockout hole (a) in the bottom plate or cover plate by tapping on the attachment points with a flat head screwdriver and a hammer.
- Optionally, cut out the slits (b) with a metal saw.

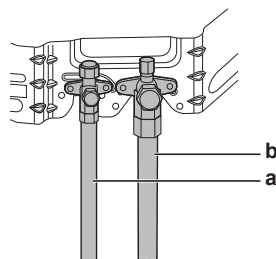
### **!** NOTICE

Precautions when making knockout holes:

- Avoid damaging the casing and underlying piping.
- After making the knockout holes, we recommend to remove the burrs and paint the edges and areas around the edges using repair paint to prevent rusting.
- When passing electrical wiring through the knockout holes, wrap the wiring with protective tape to prevent damage.

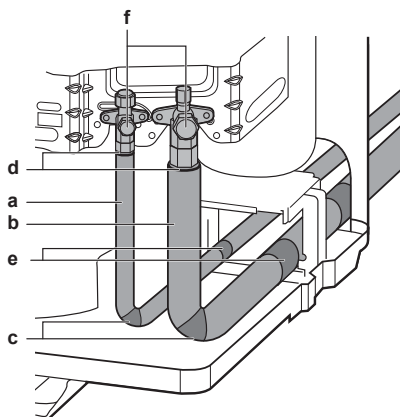
3 Do the following:

- Connect the liquid pipe (a) to the liquid stop valve.
- Connect the gas pipe (b) to the gas stop valve.



4 Do the following:

- Insulate the liquid piping (a) and the gas piping (b).
- Wind heat insulation around the curves, and then cover it with vinyl tape (c).
- Make sure the field piping does not touch any compressor components.
- Seal the insulation ends (sealant etc.) (d).
- Wrap the field piping with vinyl tape (e) to protect it against sharp edges



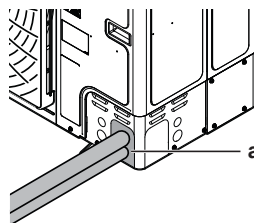
5 If the outdoor unit is installed above the indoor unit, cover the stop valves (f, see above) with sealing material to prevent condensed water on the stop valves from moving to the indoor unit.

### **!** NOTICE

Any exposed piping might cause condensation.

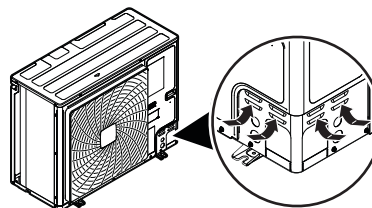
6 Reattach the service cover and the piping intake plate.

7 Seal all gaps (example: a) to prevent snow and small animals from entering the system.



### **!** NOTICE

Do not block the air vents. This could affect air circulation inside the unit.



**WARNING**

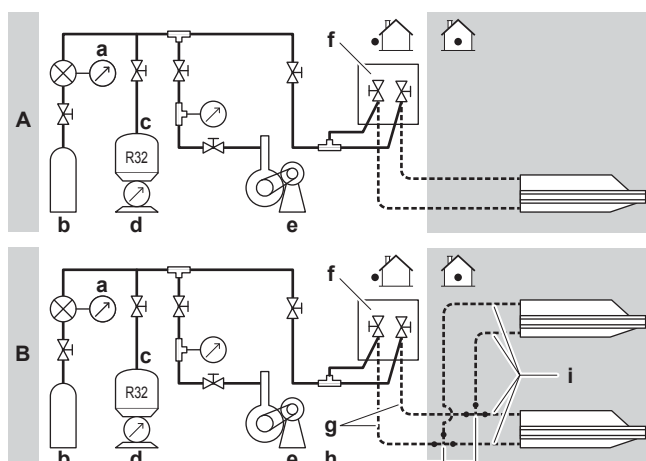
Provide adequate measures to prevent that the unit can be used as a shelter by small animals. Small animals that make contact with electrical parts can cause malfunctions, smoke or fire.

**NOTICE**

Make sure to open the stop valves after installing the refrigerant piping and performing vacuum drying. Running the system with the stop valves closed may break the compressor.

## 5.3 Checking the refrigerant piping

### 5.3.1 Checking refrigerant piping: Setup



- A** Setup in case of pair  
**B** Setup in case of twin  
**a** Pressure gauge  
**b** Nitrogen  
**c** Refrigerant  
**d** Weighing scale  
**e** Vacuum pump  
**f** Stop valve  
**g** Main piping  
**h** Refrigerant branch kit  
**i** Branch piping

### 5.3.2 To check for leaks

**NOTICE**

Do NOT exceed the unit's maximum working pressure (see "PS High" on the unit name plate).

**NOTICE**

ALWAYS use a recommended bubble test solution from your wholesaler.

NEVER use soap water:

- Soap water may cause cracking of components, such as flare nuts or stop valve caps.
- Soap water may contain salt, which absorbs moisture that will freeze when the piping gets cold.
- Soap water contains ammonia which may lead to corrosion of flared joints (between the brass flare nut and the copper flare).

- 1 Charge the system with nitrogen gas up to a gauge pressure of at least 200 kPa (2 bar). It is recommended to pressurize to 3000 kPa (30 bar) in order to detect small leaks.
- 2 Check for leaks by applying the bubble test solution to all connections.
- 3 Discharge all nitrogen gas.

### 5.3.3 To perform vacuum drying

**NOTICE**

- Connect the vacuum pump to **both** the service port of the gas stop valve and the service port of the liquid stop valve to increase efficiency.
- Make sure that the gas stop valve and liquid stop valve are firmly closed before performing the leak test or vacuum drying.

- 1 Vacuum the system until the pressure on the manifold indicates  $-0.1$  MPa ( $-1$  bar).
- 2 Leave as is for 4-5 minutes and check the pressure:

If the pressure...	Then...
Does not change	There is no moisture in the system. This procedure is finished.
Increases	There is moisture in the system. Go to the next step.

- 3 Vacuum the system for at least 2 hours to a manifold pressure of  $-0.1$  MPa ( $-1$  bar).
- 4 After turning the pump OFF, check the pressure for at least 1 hour.
- 5 If you do NOT reach the target vacuum or CANNOT maintain the vacuum for 1 hour, do the following:
  - Check for leaks again.
  - Perform vacuum drying again.

**NOTICE**

Make sure to open the stop valves after installing the refrigerant piping and performing vacuum drying. Running the system with the stop valves closed may break the compressor.

## 5.4 Charging refrigerant

### 5.4.1 About charging refrigerant

The outdoor unit is factory charged with refrigerant, but in some cases the following might be necessary:

What	When
Charging additional refrigerant	When the total liquid piping length is more than specified (see later).
Completely recharging refrigerant	<b>Example:</b> <ul style="list-style-type: none"> <li>• When relocating the system.</li> <li>• After a leak.</li> </ul>

#### Charging additional refrigerant

Before charging additional refrigerant, make sure the outdoor unit's **external** refrigerant piping is checked (leak test, vacuum drying).

**INFORMATION**

Depending on the units and/or the installation conditions, it might be necessary to connect electrical wiring before you can charge refrigerant.

Typical workflow – Charging additional refrigerant typically consists of the following stages:

- 1 Determining if and how much you have to charge additionally.
- 2 If necessary, charging additional refrigerant.
- 3 Filling in the fluorinated greenhouse gases label, and fixing it to the inside of the outdoor unit.



## 5 Installation

### Completely recharging refrigerant

Before completely recharging refrigerant, make sure the following is done:

- 1 All refrigerant is recovered from the system.
- 2 The outdoor unit's **external** refrigerant piping is checked (leak test, vacuum drying).
- 3 Vacuum drying on the outdoor unit's **internal** refrigerant piping is performed.

#### NOTICE

Before completely recharging, perform vacuum drying on the outdoor unit's **internal** refrigerant piping as well.

#### NOTICE

To perform vacuum drying or a complete recharge of the outdoor unit's internal refrigerant piping it is necessary to activate the vacuum mode (see ["To activate/deactivate the vacuum mode field setting"](#) [▶ 16]) which will open required valves in the refrigerant circuit so the vacuuming process or recharge of refrigerant can be done properly.

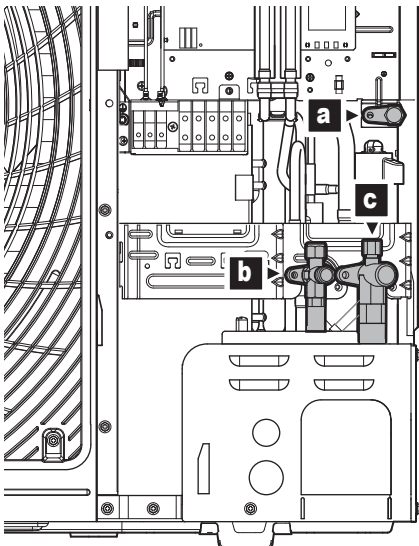
- Before vacuum drying or recharging, activate field setting "vacuum mode".
- After finishing vacuum drying or recharging, deactivate field setting "vacuum mode".

#### WARNING

Some sections of the refrigerant circuit may be isolated from other sections caused by components with specific functions (e.g. valves). The refrigerant circuit therefore features additional service ports for vacuuming, pressure relief or pressurizing the circuit.

In case it is required to perform **brazing** on the unit, ensure that there is no pressure remaining inside the unit. Internal pressures need to be released with ALL the service ports indicated on the figures below opened. The location is depending on model type.

Location of service ports:



- a Internal service port
- b Stop valve with service port (liquid)
- c Stop valve with service port (gas)

Typical workflow – Completely recharging refrigerant typically consists of the following stages:

- 1 Determining how much refrigerant to charge.
- 2 Charging refrigerant.
- 3 Filling in the fluorinated greenhouse gases label, and fixing it to the inside of the outdoor unit.

### 5.4.2 About the refrigerant

This product contains fluorinated greenhouse gases. Do NOT vent gases into the atmosphere.

Refrigerant type: R32

Global warming potential (GWP) value: 675

Periodical inspections for refrigerant leaks may be required depending on the applicable legislation. Contact your installer for more information.



#### WARNING: FLAMMABLE MATERIAL

The refrigerant inside this unit is mildly flammable.



#### WARNING

- The refrigerant inside the unit is mildly flammable, but normally does NOT leak. If the refrigerant leaks in the room and comes in contact with fire from a burner, a heater, or a cooker, this may result in fire, or the formation of a harmful gas.
- Turn OFF any combustible heating devices, ventilate the room, and contact the dealer where you purchased the unit.
- Do NOT use the unit until a service person confirms that the part from which the refrigerant leaked has been repaired.



#### WARNING

The appliance shall be stored in a room without continuously operating ignition sources (example: open flames, an operating gas appliance or an operating electric heater).



#### WARNING

- Do NOT pierce or burn refrigerant cycle parts.
- Do NOT use cleaning materials or means to accelerate the defrosting process other than those recommended by the manufacturer.
- Be aware that the refrigerant inside the system is odourless.

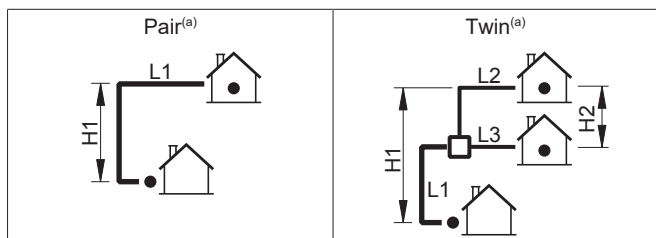
### 5.4.3 Precautions when charging refrigerant

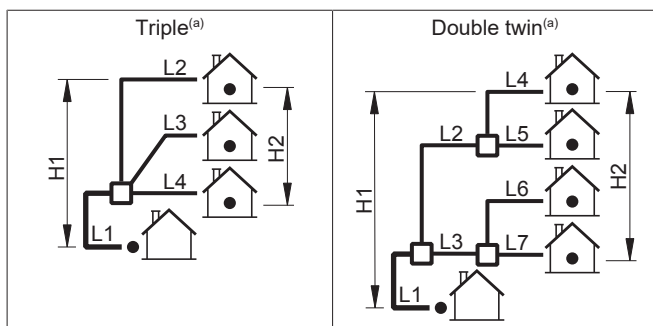


#### INFORMATION

See the precautions and requirements in the General safety precautions and in chapter Preparing refrigerant piping of the Installer reference guide.

### 5.4.4 Definitions: L1~L7, H1, H2





- (a) Assume that the longest line in the illustration corresponds with the actual longest pipe, and the highest unit in the illustration corresponds with the actual highest unit.
- L1 Main piping
  - L2~L7 Branch piping
  - H1 Height difference between the highest indoor unit and the outdoor unit
  - H2 Height difference between the highest and the lowest indoor unit
  - Refrigerant branch kit

## 5.4.5 Charging additional refrigerant

### To determine the additional refrigerant amount

#### To determine if adding additional refrigerant is necessary

If	Then
$(L1+L2+L3+L4+L5+L6+L7) \leq$ chargeless length Chargeless length= <ul style="list-style-type: none"> <li>▪ 10 m (size-down)</li> <li>▪ 40 m (standard)</li> <li>▪ 15 m (size-up)</li> </ul>	You do not have to add additional refrigerant.
$(L1+L2+L3+L4+L5+L6+L7) >$ chargeless length	You must add additional refrigerant.  For future servicing, encircle the selected amount in the tables below.



#### INFORMATION

Piping length is the largest one-way length of liquid piping.

#### To determine the additional refrigerant amount (R in kg) (in case of pair)

Standard liquid pipe size						
	L1 (m)					
L1:	40~50	50~55	55~60	60~70	70~80	80~85
R:	0.35	0.7 <sup>(a)</sup> 0.55 <sup>(b)</sup>	0.7 <sup>(a)</sup>	1.05 <sup>(a)</sup>	1.4 <sup>(a)</sup>	1.55 <sup>(a)</sup>

<sup>(a)</sup> Only for RZAG100~140.

<sup>(b)</sup> Only for RZAG71.

Size-up liquid pipe size				
	L1 (m)			
L1:	15~20	20~25	25~30	30~35
R:	0.35	0.7	1.05 <sup>(a)</sup>	1.4 <sup>(a)</sup>

<sup>(a)</sup> Only for RZAG100~140.

#### To determine the additional refrigerant amount (R in kg) (in case of twin, triple and double twin)

- Determine G1 and G2.

G1 (m)	Total length of <x> liquid piping x=Ø9.5 mm (standard) x=Ø12.7 mm (size-up)
G2 (m)	Total length of Ø6.4 mm liquid piping

- Determine R1 and R2.

If	Then
G1 > 40 m <sup>(a)</sup>	Use the table below to determine R1 (length=G1-40 m) <sup>(a)</sup> and R2 (length=G2).
G1 ≤ 40 m <sup>(a)</sup> (and G1+G2 > 40 m) <sup>(a)</sup>	R1=0.0 kg. Use the table below to determine R2 (length=G1+G2-40 m) <sup>(a)</sup> .

<sup>(a)</sup> In case of size-up: Replace 40 m by 15 m.

Standard liquid pipe size						
	Length (m)					
	0~10	10~15	15~20	20~30	30~40	40~45
R1:	0.35	0.7 <sup>(a)</sup> 0.55 <sup>(b)</sup>	0.7 <sup>(a)</sup>	1.05 <sup>(a)</sup>	1.4 <sup>(a)</sup>	1.55 <sup>(a)</sup>
R2:	0.2	0.4	0.4	0.6	0.8 <sup>(a)</sup>	1.0 <sup>(a)</sup>

<sup>(a)</sup> Only for RZAG100~140.

<sup>(b)</sup> Only for RZAG71.

Size-up liquid pipe size							
	Length (m)						
	0~5	5~10	10~15	15~20	20~30	30~40	40~45
R1:	0.35	0.7	1.05 <sup>(a)</sup>	1.4 <sup>(a)</sup>	—	—	—
R2:	0.35		0.7 <sup>(a)</sup>		1.05 <sup>(a)</sup>	1.4 <sup>(a)</sup>	—

<sup>(a)</sup> Only for RZAG100~140.

- Determine the additional refrigerant amount: R=R1+R2.

#### Examples

Layout	Additional refrigerant amount (R)		
	Case: Twin, standard liquid pipe size		
	1	G1	Total Ø9.5 => G1=45 m
		G2	Total Ø6.4 => G2=7+5=12 m
	2 Case: G1 > 40 m		
		R1	Length=G1-40 m=5 m => R1=0.35 kg
		R2	Length=G2=12 m => R2=0.4 kg
	3 R	R=R1+R2=0.35+0.4=0.75 kg	
	Case: Triple, standard liquid pipe size		
	1	G1	Total Ø9.5 => G1=15 m
		G2	Total Ø6.4 => G2=20+17+17=54 m
	2 Case: G1 ≤ 40 m (and G1+G2 > 40 m)		
		R1	R1=0.0 kg
		R2	Length=G1+G2-40 m=15+54-40=29 m => R2=0.6 kg
	3 R	R=R1+R2=0.0+0.6=0.6 kg	

### Charging refrigerant: Setup

See "5.3.1 Checking refrigerant piping: Setup" [ 13].

## 5 Installation

### To charge additional refrigerant

#### WARNING

- Only use R32 as refrigerant. Other substances may cause explosions and accidents.
- R32 contains fluorinated greenhouse gases. Its global warming potential (GWP) value is 675. Do NOT vent these gases into the atmosphere.
- When charging refrigerant, ALWAYS use protective gloves and safety glasses.

**Prerequisite:** Before charging refrigerant, make sure the refrigerant piping is connected and checked (leak test and vacuum drying).

- Connect the refrigerant cylinder to both the service port of the gas stop valve and the service port of the liquid stop valve.
- Charge the additional refrigerant amount.
- Open the stop valves.

#### 5.4.6 Completely recharging refrigerant

##### To determine the complete recharge amount

To determine the complete recharge amount (kg) (in case of standard liquid pipe size)

Model	Length (m) <sup>(a)</sup>						
	3~40	40~50	50~55	55~60	60~70	70~80	80~85
RZAG71	3.2	3.55	3.75	—	—	—	—
RZAG100	3.2	3.55	3.9		4.25	4.6	4.75
RZAG125-140	3.7	4.05	4.4		4.75	5.1	5.25

<sup>(a)</sup> Length=L1 (pair); L1+L2 (twin, triple); L1+L2+L4 (double twin)

To determine the complete recharge amount (kg) (in case of size-up liquid pipe size)

Model	Length (m) <sup>(a)</sup>				
	3~15	15~20	20~25	25~30	30~35
RZAG71	3.2	3.55	3.9	—	—
RZAG100	3.2	3.55	3.9	4.25	4.6
RZAG125+140	3.7	4.05	4.4	4.75	5.1

<sup>(a)</sup> Length=L1 (pair); L1+L2 (twin, triple); L1+L2+L4 (double twin)

Length=L1 (pair); L1+L2 (twin, triple); L1+L2+L4 (double twin)

To determine the complete recharge amount (kg) (in case of size-down liquid pipe size)

Model	Length (m) <sup>(a)</sup>
	3~10
RZAG71+100	3.2
RZAG125+140	3.7

<sup>(a)</sup> Length=L1 (pair); L1+L2 (twin, triple); L1+L2+L4 (double twin)

Length=L1 (pair); L1+L2 (twin, triple); L1+L2+L4 (double twin)

##### To activate/deactivate the vacuum mode field setting

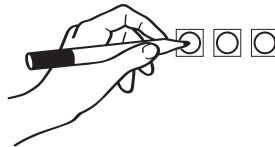
###### Description

To perform vacuum drying or a complete recharge of the outdoor unit's internal refrigerant piping it is necessary to activate the vacuum mode which will open required valves in the refrigerant circuit so the vacuuming process or recharge of refrigerant can be done properly.

###### To activate vacuum mode:

Activating the vacuum mode is done by operating the push buttons BS\* on the PCB (A1P) and reading the feedback from the 7-segment displays.

Operate the switches and push buttons with an insulated stick (such as a closed ball-point pen) to avoid touching of live parts.



- When the unit is powered on and not running, hold down the BS1 pushbutton for 5 seconds.

**Result:** You will reach the setting mode, the 7 segment display will show '2 0 0'.

- Press the BS2 button until you reach page 2-17.
- When 2-17 is reached, press the BS3 button once.
- Change the setting to '2' by pressing the BS2 button once.
- Push the BS3 button once.
- When the display is not blinking anymore, press the BS3 button again to activate vacuum mode.

###### To deactivate vacuum mode:

After charging or vacuuming the unit, please deactivate the vacuum mode:

- Press the BS2 button until you reach page 2-17.
- When 2-17 is reached, press the BS3 button once.
- Change the setting to '1' by pressing the BS2 button once.
- Push the BS3 button once.
- When the display is not blinking anymore, press the BS3 button again to deactivate vacuum mode.
- Press the BS1 button to leave the setting mode.

Make sure to reattach the electronic component box cover and to install the front cover after the job is finished.



###### NOTICE

Make sure that all outside panels, except for the service cover on the electrical component box, are closed while working.

Close the lid of the electrical component box firmly before turning on the power.

### Charging refrigerant: Setup

See "5.3.1 Checking refrigerant piping: Setup" [▶ 13].

### To completely recharge refrigerant



#### WARNING

- Only use R32 as refrigerant. Other substances may cause explosions and accidents.
- R32 contains fluorinated greenhouse gases. Its global warming potential (GWP) value is 675. Do NOT vent these gases into the atmosphere.
- When charging refrigerant, ALWAYS use protective gloves and safety glasses.

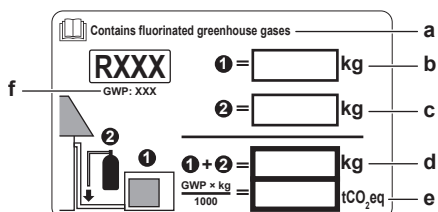
**Prerequisite:** Before completely recharging refrigerant, make sure the system is pumped down, the outdoor unit's **external** refrigerant piping is checked (leak test, vacuum drying) and vacuum drying on the outdoor unit's **internal** refrigerant piping is performed.

- If not already done (for vacuum drying of the unit), activate the vacuum mode (see "To activate/deactivate the vacuum mode field setting" [▶ 16])
- Connect the refrigerant cylinder to the service port of the liquid stop valve.
- Open the liquid stop valve.

- Charge the complete refrigerant amount.
- Deactivate the vacuum mode (see "To activate/deactivate the vacuum mode field setting" [▶ 16]).
- Open the gas stop valve.

#### 5.4.7 To fix the fluorinated greenhouse gases label

- Fill in the label as follows:



- If a multilingual fluorinated greenhouse gases label is delivered with the unit (see accessories), peel off the applicable language and stick it on top of a.
- Factory refrigerant charge: see unit name plate
- Additional refrigerant amount charged
- Total refrigerant charge
- Quantity of fluorinated greenhouse gases** of the total refrigerant charge expressed as tonnes CO<sub>2</sub> equivalent.
- GWP = Global warming potential



#### NOTICE

Applicable legislation on **fluorinated greenhouse gases** requires that the refrigerant charge of the unit is indicated both in weight and CO<sub>2</sub> equivalent.

**Formula to calculate the quantity in CO<sub>2</sub> equivalent tonnes:** GWP value of the refrigerant × total refrigerant charge [in kg] / 1000

Use the GWP value mentioned on the refrigerant charge label.

- Fix the label on the inside of the outdoor unit. There is a dedicated place for it on the wiring diagram label.

#### 5.5.3 Specifications of standard wiring components

Component		V1			Y1			
		71	100	125~140	71	100	125	140
Power supply cable	MCA <sup>(a)</sup>	18.8 A	23.3 A	28.8 A	12.3 A	15.4 A	15.7 A	15.4 A
	Voltage range	220~240 V			380~415 V			
	Phase	1~			3N~			
	Frequency	50 Hz						
	Wire sizes	Must comply with applicable legislation						
Interconnection cables		Minimum cable section of 2.5 mm <sup>2</sup> and applicable for 230 V						
Recommended field fuse		20 A	32 A		16 A			
Earth leakage circuit breaker		Must comply with applicable legislation						

<sup>(a)</sup> MCA=Minimum circuit ampacity. Stated values are maximum values (see electrical data of combination with indoor units for exact values).

#### 5.5.4 To connect the electrical wiring to the outdoor unit



#### NOTICE

- Follow the wiring diagram (delivered with the unit, located at the inside of the service cover).
- Make sure the electrical wiring does NOT obstruct proper reattachment of the service cover.

- Remove the service cover.
- Connect the interconnection cables and power supply as follows:

### 5.5 Connecting the electrical wiring



**DANGER: RISK OF ELECTROCUTION**



**WARNING**

ALWAYS use multicore cable for power supply cables.



**CAUTION**

For use of units in applications with temperature alarm settings it is recommended to foresee a delay of 10 minutes for signalling the alarm in case the alarm temperature is exceeded. The unit may stop for several minutes during normal operation for "defrosting the unit", or when in "thermostat stop" operation.

#### 5.5.1 About electrical compliance

##### RZAG71~140N\*V1B

Equipment complying with EN/IEC 61000-3-12 (European/ International Technical Standard setting the limits for harmonic currents produced by equipment connected to public low-voltage systems with input current >16 A and ≤75 A per phase.).

#### 5.5.2 Guidelines when connecting the electrical wiring

##### Tightening torques

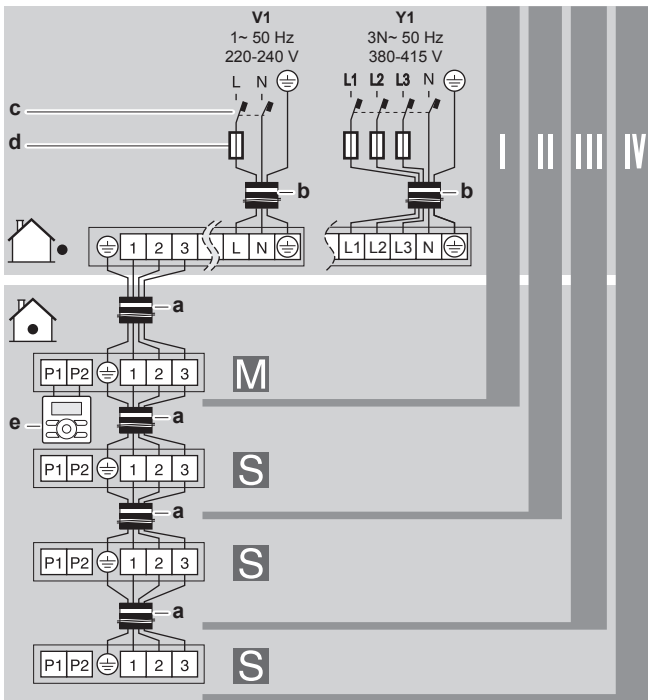
Item	Tightening torque (N•m)
M4 (X1M)	1.2~1.8
M4 (earth)	1.2~1.4
M5 (X1M)	2.0~3.0
M5 (earth)	2.4~2.9



#### NOTICE

If limited space is available at the wire terminal, use bended crimp-style ring terminals.

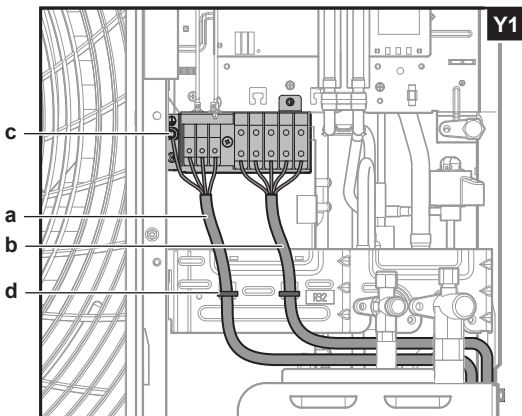
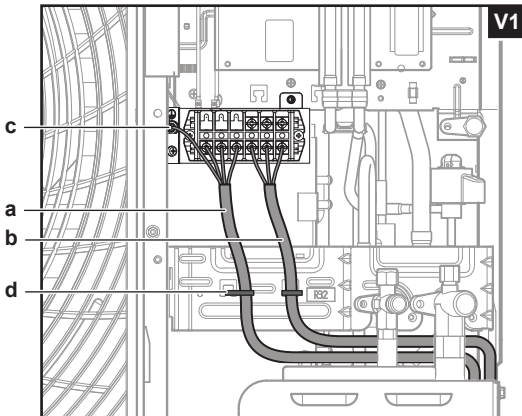
## 5 Installation



- I, II, III, IV Pair, twin, triple, double twin  
M, S Master, slave  
a Interconnection cables  
b Power supply cable  
c Earth leakage circuit breaker  
d Fuse  
e User interface

### **i** INFORMATION

Some indoor units may need a separate power supply in order to guarantee maximum capacity. See the installation manual of the indoor unit.



- a Interconnection cable  
b Power supply cable  
c Earth

### d Cable tie

- Fix the cables (power supply and interconnection cable) with a cable tie to the stop valve attachment plate and route the wiring according to the illustration above.
- Choose a knockout hole and remove the knockout hole by tapping on the attachment points with a flat head screwdriver and a hammer.
- Route the wiring through the frame and connect the wiring to the frame at the knockout hole.

<p>Routing through the frame</p>	<p>Choose one of the 3 possibilities:</p> <p>a Power supply cable</p> <p><b>Note:</b> Route the interconnection cable together with the refrigerant piping. See "5.6.1 To finish the outdoor unit installation" [▶ 19].</p>
<p>Connecting to the frame</p>	<p>When cables are routed from the unit, a protection sleeve for the conduits (PG insertions) can be inserted at the knockout hole.</p> <p>When you do not use a wire conduit, protect the wires with vinyl tubes to prevent the edge of the knockout hole from cutting the wires.</p> <p>A Inside of the outdoor unit  B Outside of the outdoor unit  a Wire  b Bush  c Nut  d Frame  e Hose</p>

### **!** NOTICE

Precautions when making knockout holes:

- Avoid damaging the casing and underlying piping.
- After making the knockout holes, we recommend to remove the burrs and paint the edges and areas around the edges using repair paint to prevent rusting.
- When passing electrical wiring through the knockout holes, wrap the wiring with protective tape to prevent damage.

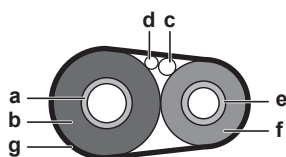
- Reattach the service cover.
- Connect an earth leakage circuit breaker and fuse to the power supply line.



## 5.6 Finishing the outdoor unit installation

### 5.6.1 To finish the outdoor unit installation

- 1 Insulate and fix the refrigerant piping and cables as follows:



- a Gas pipe
- b Gas pipe insulation
- c Interconnection cable
- d Field wiring (if applicable)
- e Liquid pipe
- f Liquid pipe insulation
- g Finishing tape

- 2 Install the service cover.

### 5.6.2 To check the insulation resistance of the compressor



#### NOTICE

If, after installation, refrigerant accumulates in the compressor, the insulation resistance over the poles can drop, but if it is at least 1 MΩ, then the unit will not break down.

- Use a 500 V mega-tester when measuring insulation.
- Do NOT use a mega-tester for low voltage circuits.

- 1 Measure the insulation resistance over the poles.

If	Then
≥1 MΩ	Insulation resistance is OK. This procedure is finished.
<1 MΩ	Insulation resistance is not OK. Go to the next step.

- 2 Turn ON the power and leave it on for 6 hours.

**Result:** The compressor will heat up and evaporate any refrigerant in the compressor.

- 3 Measure the insulation resistance again.

## 6 Commissioning

Please provide the eco design data according to (EU)2016/2281 to the customer. This data can be found in the installer reference guide or via the Daikin website.



#### NOTICE

ALWAYS operate the unit with thermistors and/or pressure sensors/switches. If NOT, burning of the compressor might be the result.

### 6.1 Checklist before commissioning

- 1 After the installation of the unit, check the items listed below.
- 2 Close the unit.
- 3 Power up the unit.

<input type="checkbox"/>	You read the complete installation instructions, as described in the <b>installer reference guide</b> .
<input type="checkbox"/>	The <b>indoor units</b> are properly mounted.

<input type="checkbox"/>	In case a wireless user interface is used: The <b>indoor unit decoration panel</b> with infrared receiver is installed.
<input type="checkbox"/>	The <b>outdoor unit</b> is properly mounted.
<input type="checkbox"/>	The following <b>field wiring</b> has been carried out according to this document and the applicable legislation: <ul style="list-style-type: none"> <li>▪ Between the local supply panel and the outdoor unit</li> <li>▪ Between the outdoor unit and the indoor unit (master)</li> <li>▪ Between the indoor units</li> </ul>
<input type="checkbox"/>	There are <b>NO missing phases</b> or <b>reversed phases</b> .
<input type="checkbox"/>	The system is properly <b>earthed</b> and the earth terminals are tightened.
<input type="checkbox"/>	The <b>fuses</b> or locally installed protection devices are installed according to this document, and have NOT been bypassed.
<input type="checkbox"/>	The <b>power supply voltage</b> matches the voltage on the identification label of the unit.
<input type="checkbox"/>	There are <b>NO loose connections</b> or damaged electrical components in the switch box.
<input type="checkbox"/>	The <b>insulation resistance</b> of the compressor is OK.
<input type="checkbox"/>	There are <b>NO damaged components</b> or <b>squeezed pipes</b> on the inside of the indoor and outdoor units.
<input type="checkbox"/>	There are <b>NO refrigerant leaks</b> .
<input type="checkbox"/>	The correct pipe size is installed and the <b>pipes</b> are properly insulated.
<input type="checkbox"/>	The <b>stop valves</b> (gas and liquid) on the outdoor unit are fully open.

### 6.2 To perform a test run

This task is only applicable when using the BRC1E52 or BRC1E53 user interface. When using any other user interface, see the installation manual or service manual of the user interface.



#### NOTICE

Do NOT interrupt the test run.



#### INFORMATION

**Backlight.** To perform an ON/OFF action on the user interface, the backlight does not need to be lit. For any other action, it needs to be lit first. The backlight is lit for ±30 seconds when you press a button.

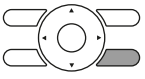
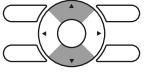
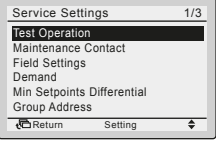
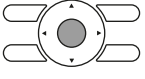
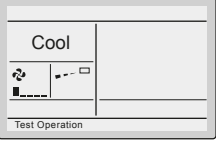
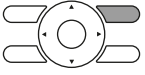
- 1 Perform introductory steps.

#	Action
1	Open the liquid stop valve and gas stop valve by removing the cap and turning counterclockwise with a hex wrench until it stops.
2	Close the service cover to prevent electric shocks.
3	Turn ON power for at least 6 hours before starting operation to protect the compressor.
4	On the user interface, set the unit to cooling operation mode.

- 2 Start the test run

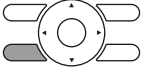
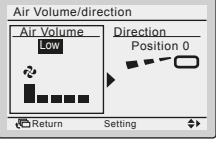
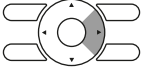
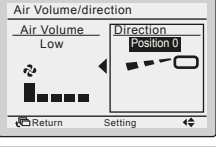
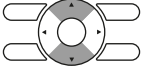
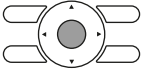
#	Action	Result
1	Go to the home menu.	

## 7 Disposal

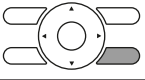
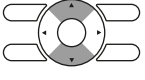
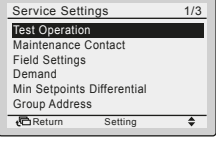
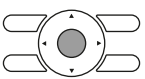
#	Action	Result
2	Press at least 4 seconds. 	The Service Settings menu is displayed.
3	Select Test Operation. 	
4	Press. 	Test Operation is displayed on the home menu. 
5	Press within 10 seconds. 	Test run starts.

3 Check operation for 3 minutes.

4 Check operation of the airflow direction (only applicable for indoor units with swing flaps).

#	Action	Result
1	Press. 	
2	Select Position 0. 	
3	Change the position. 	If the airflow flap of the indoor unit moves, operation is OK. If not, operation is not OK.
4	Press. 	The home menu is displayed.

5 Stop the test run.

#	Action	Result
1	Press at least 4 seconds. 	The Service Settings menu is displayed.
2	Select Test Operation. 	
3	Press. 	The unit returns to normal operation, and the home menu is displayed.

## 6.3 Error codes when performing a test run

If the installation of the outdoor unit has NOT been done correctly, the following error codes may be displayed on the user interface:

Error code	Possible cause
Nothing displayed (the currently set temperature is not displayed)	<ul style="list-style-type: none"> <li>The wiring is disconnected or there is a wiring error (between power supply and outdoor unit, between outdoor unit and indoor units, between indoor unit and user interface).</li> <li>The fuse on the outdoor unit PCB has blown out.</li> </ul>
E3, E4 or L8	<ul style="list-style-type: none"> <li>The stop valves are closed.</li> <li>The air inlet or air outlet is blocked.</li> </ul>
U1 or E7	<p>There is a missing phase in case of three-phase power supply units.</p> <p><b>Note:</b> Operation will be impossible. Turn OFF the power, recheck the wiring, and switch two of the three electrical wires.</p>
L4	The air inlet or air outlet is blocked.
U0	The stop valves are closed.
U2	<ul style="list-style-type: none"> <li>There is a voltage imbalance.</li> <li>There is a missing phase in case of three-phase power supply units. <b>Note:</b> Operation will be impossible. Turn OFF the power, recheck the wiring, and switch two of the three electrical wires.</li> </ul>
U4 or UF	The inter-unit branch wiring is not correct.
UA	The outdoor and indoor unit are incompatible.

## 6.4 Dedicated field settings for technical cooling

In case the system is used for technical cooling, please apply the following remote controller settings:

Field setting	Description
2-57-2	See the service manual for the field setting method.

## 7 Disposal

This unit uses hydrofluorocarbon. Contact your dealer when discarding this unit. It is required by law to collect, transport and discard the refrigerant in accordance with the "hydrofluorocarbon collection and destruction" regulations.



### NOTICE

Do NOT try to dismantle the system yourself: dismantling of the system, treatment of the refrigerant, oil and other parts MUST comply with applicable legislation. Units MUST be treated at a specialised treatment facility for reuse, recycling and recovery.

## 8 Technical data


A **subset** of the latest technical data is available on the regional Daikin website (publicly accessible). The **full set** of latest technical data is available on the Daikin Business Portal (authentication required).

### 8.1 Service space: Outdoor unit

<b>Suction side</b>	In the illustrations on the inside of the front cover of this manual, the service space at the suction side is based on 35°C DB and cooling operation. Foresee more space in the following cases: <ul style="list-style-type: none"> <li>When the suction side temperature regularly exceeds this temperature.</li> <li>When the heat load of the outdoor units is expected to regularly exceed the maximum operating capacity.</li> </ul>
<b>Discharge side</b>	Take refrigerant piping work into account when positioning the units. If your layout does not match with any of the layouts below, contact your dealer.

#### Single unit (□) | Single row of units (□□□)

See "figure 1" [p 2] on the inside of the front cover of this manual.

- (1) For better serviceability, use a distance  $\geq 250$  mm
- A,B,C,D** Obstacles (walls/baffle plates)
- E** Obstacle (roof)
- a,b,c,d,e** Minimum service space between the unit and obstacles A, B, C, D and E
- e<sub>B</sub>** Maximum distance between the unit and the edge of obstacle E, in the direction of obstacle B
- e<sub>D</sub>** Maximum distance between the unit and the edge of obstacle E, in the direction of obstacle D
- H<sub>U</sub>** Height of the unit
- H<sub>B</sub>,H<sub>D</sub>** Height of obstacles B and D
- 1** Seal the bottom of the installation frame to prevent discharged air from flowing back to the suction side through the bottom of the unit.
- 2** Maximum two units can be installed.
-  Not allowed

#### Multiple rows of units (□□□)

See "figure 2" [p 2] on the inside of the front cover of this manual.

- (1) For better serviceability, use a distance  $\geq 250$  mm

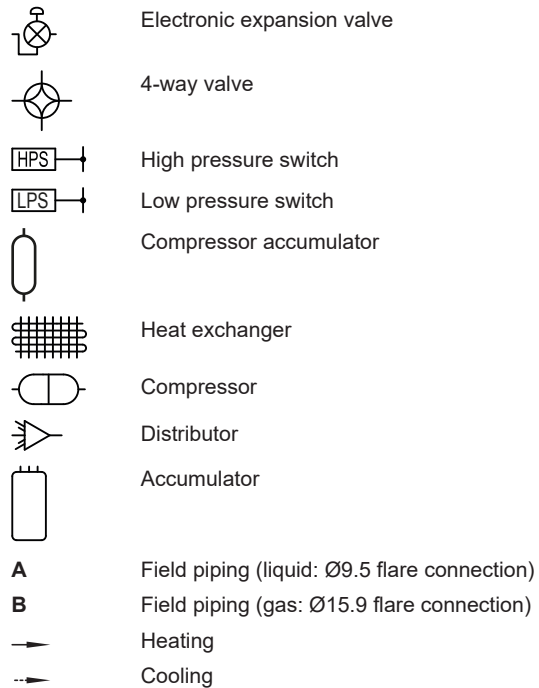
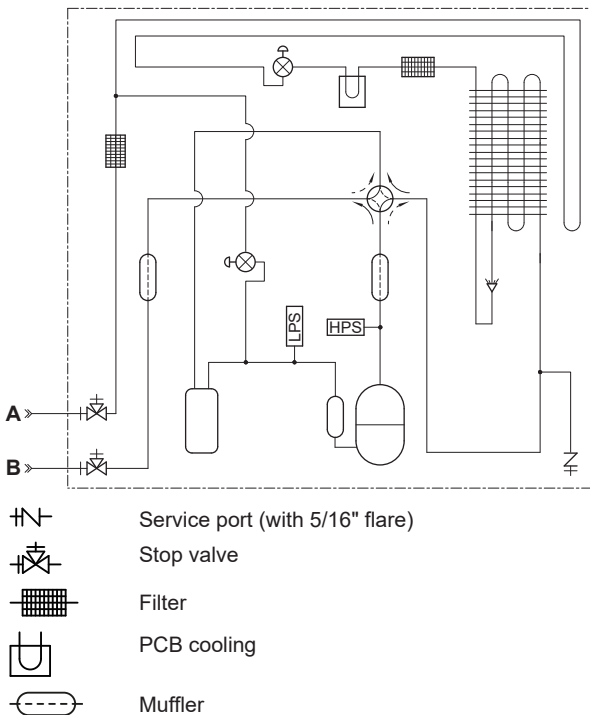
#### Stacked units (max. 2 levels) (□□□)

See "figure 3" [p 2] on the inside of the front cover of this manual.

- (1) For better serviceability, use a distance  $\geq 250$  mm
- A1=>A2** (A1) If there is danger of drainage dripping and freezing between the upper and lower units...  
(A2) Then install a **roof** between the upper and lower units. Install the upper unit high enough above the lower unit to prevent ice buildup at the upper unit's bottom plate.
- B1=>B2** (B1) If there is no danger of drainage dripping and freezing between the upper and lower units...  
(B2) Then it is not required to install a roof, but **seal the gap** between the upper and lower units to prevent discharged air from flowing back to the suction side through the bottom of the unit.

## 8 Technical data

### 8.2 Piping diagram: Outdoor unit



### 8.3 Wiring diagram: Outdoor unit

The wiring diagram is delivered with the unit, located at the inside of the service cover.

#### (1) Connection diagram

English	Translation
Connection diagram	Connection diagram
Only for ***	Only for ***
See note ***	See note ***
Outdoor	Outdoor
Indoor	Indoor
Upper	Upper
Lower	Lower
Fan	Fan
ON	ON
OFF	OFF

#### (2) Layout

English	Translation
Layout	Layout
Front	Front
Back	Back
Position of compressor terminal	Position of compressor terminal

#### (3) Notes

English	Translation
Notes	Notes
	Connection
X1M	Indoor/outdoor communication
-----	Earth wiring
-----	Field supply
①	Several wiring possibilities
	Protective earth

English	Translation
	Field wire
	Wiring depending on model
	Option
	Switch box
	PCB

#### NOTES:

- 1 Refer to the wiring diagram sticker (on the back of the front plate) for how to use the BS1~BS3 and DS1 switches.
- 2 When operating, do not short-circuit protective devices S1PH S1PLand Q1E.
- 3 Refer to the combination table and the option manual for how to connect the wiring to X6A, X28A and X77A.
- 4 Colours: BLK: black, RED: red, BLU: blue, WHT: white, GRN: green

#### (4) Legend

English	Translation
Legend	Legend
Field supply	Field supply
Optional	Optional
Part n°	Part n°
Description	Description

A1P	Printed circuit board (main)
A2P	Printed circuit board (noise filter)
A3P	* Printed circuit board (demand)
BS1~BS3 (A1P)	Push button switch
C1~C5 (A1P) (Y1 only)	Capacitor
DS1 (A1P)	Dipswitch
E1~3 (A1P)	Connector

E1H	* Bottom plate heater (option)
F*U	* Fuse
HAP (A1P)	Light-emitting diode (service monitor is green)
K1M, K3M (A1P) (Y1 only)	Magnetic contactor
K1R (A1P)	Magnetic relay (Y1S)
K4R (A1P)	Magnetic relay (E1H)
K10R, K13R~K15R (A1P)	Magnetic relay
K11M (A1P) (V1 only)	Magnetic contactor
L1R (Y1 only)	Reactor
M1C	Compressor motor
M1F	Fan motor
PFC (A1P) (V1 only)	Power factor correction
PS (A1P)	Switching power supply
Q1DI	Earth leakage circuit breaker (30 mA)
Q1E	Overload protection
R1~R8 (A1P) (Y1 only)	Resistor
R1T	Thermistor (air)
R2T	Thermistor (discharge)
R3T	Thermistor (suction)
R4T	Thermistor (heat exchanger)
R5T	Thermistor (heat exchanger middle)
R6T	Thermistor (liquid)
R7T	Thermistor (fin)
R8 (A1P) (V1 only)	Resistor
RC (A1P) (Y1 only)	Signal receiver unit
S1PH	High pressure switch
S1PL	Low pressure switch
SEG1~SEG3	7-segment display
TC1 (A1P) (V1 only)	Signal transmission circuit
TC (A1P) (Y1 only)	Signal transmission circuit
V1 (A2P)	Varistor
V1D (A1P) (V1 only)	Diode
V1D, V2D (A1P) (Y1 only)	Diode
V*R (A1P) (V1 only)	Diode module
V1R, V2R (A1P) (Y1 only)	Diode module
V3R, V4R (A1P) (Y1 only)	IGBT power module
X1M	Terminal strip
Y1E~Y3E	Electronic expansion valve
Y1S	Solenoid valve (4-way valve)
Z*C	Noise filter (ferrite core)
Z*F	Noise filter
L*, L*A, L*B, N, NA, NB, E*, U, V, W, X*A (A1P~A2P)	Connector



**ERC**



4P695306-1 000000R

Copyright 2022 Daikin

**DAIKIN INDUSTRIES CZECH REPUBLIC s.r.o.**

U Nové Hospody 1/1155, 301 00 Plzeň Skvrňany, Czech Republic

**DAIKIN EUROPE N.V.**

Zandvoordestraat 300, B-8400 Oostende, Belgium

4P695306-1 2022.05