

DAIKIN AIR CONDITIONER

KRP1D93A

READ THESE INSTRUCTIONS CAREFULLY BEFORE INSTALLATION.

Installation box for adapter PCB.

Installation manual

2P278091-1B

- Caution**
- This kit can be suspended from the ceiling. After confirming the indoor unit model name, mount this box on the unit listed in the table shown below.
 - One kit is required per adapter printed circuit board.

Kit name	Indoor unit model that party crowded is possible	
KRP1D93A	SPLIT	FHQG 71 · 100 · 125 · 140 FHQ 35 · 50 · 60 · 71 · 100 · 125 · 140 types
	VRV	FXHQ 32 · 63 · 100 types

*For FHQ 35 - 50, FXHQ 32 types, "Installation plate for adapter box:KKSAP50A56" is required separately. For installing this kit to FHP 35 - 50, FXHQ 32 types, refer to the manual provided with "Installation plate for adapter box".

Accessories Check if the following accessories are included with your kit.

Name	Adapter box	Adapter box lid	Installation screw		Fixture	Installation manual	Clamp
Shape	1	2	For fixture 3	For installation box For installation box lid 4	5	6	7
Quantity	1 pc.	1 pc.	2 pcs.	2 pcs.	2 pcs.	1 pc.	6 pcs.

1 Preparation for installation

• For FHP 35 - 50, FXHQ 32 types refer to the manual provided with "Installation plate for adapter box".

- Remove the suction grille. (Refer to Fig. 1 and 2)
- Cut off the clamp for fixing the protection net. (Refer to Fig. 3)
- Remove the protection net. (Refer to Fig. 3)
 - FHQG 71, FHQ 60 - 71, FXHQ 63 types : Remove protection net (1) (screw A, 5 pcs.).
 - FHQG 100 - 140, FHQ 100 - 140, FXHQ 100 types : Remove protection net (1) and (2) (screw A, 4 pcs. for each).
- For the FHQG 100 - 140, FHQ 100 - 140, FXHQ 100 types, remove the reinforcing plate (screw C, 2 pcs.). (Refer to Fig. 3)
- Remove the control box lid (screw C, 2 pcs.). (Refer to Fig. 3)
- Take out the control box lid (screw B, 2 pcs.).

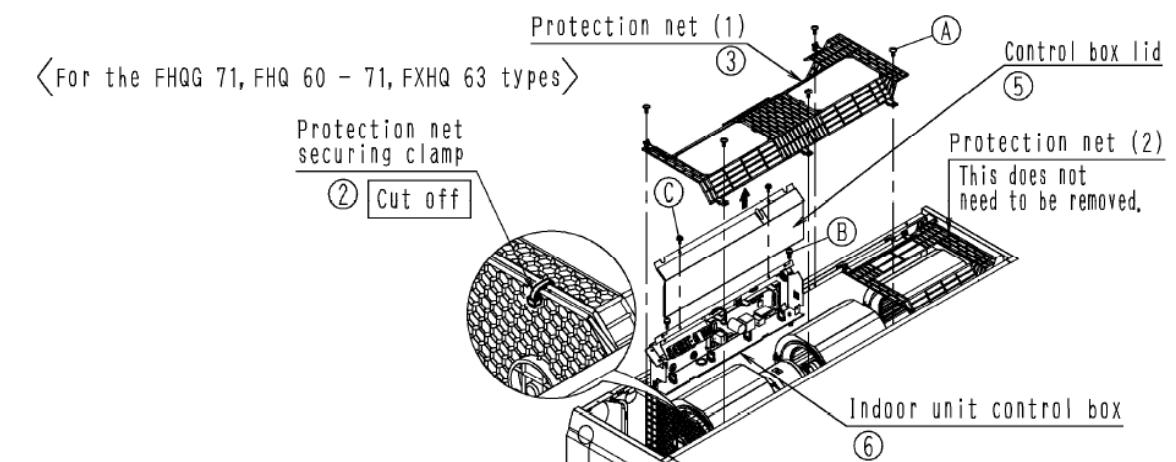
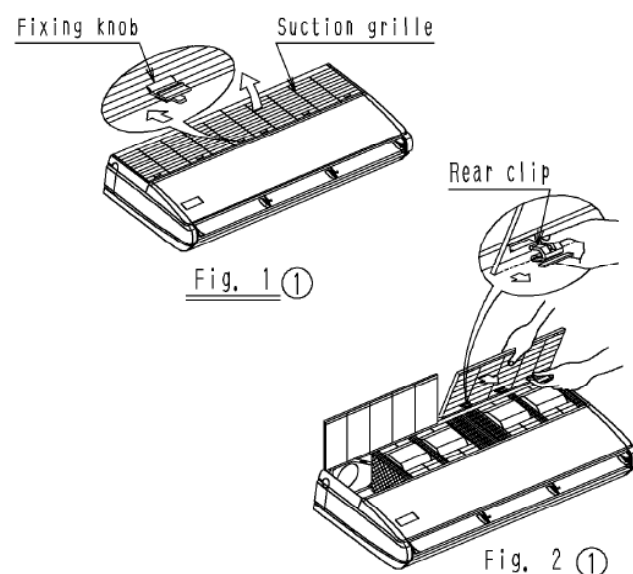
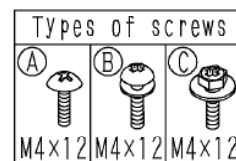


Fig. 3

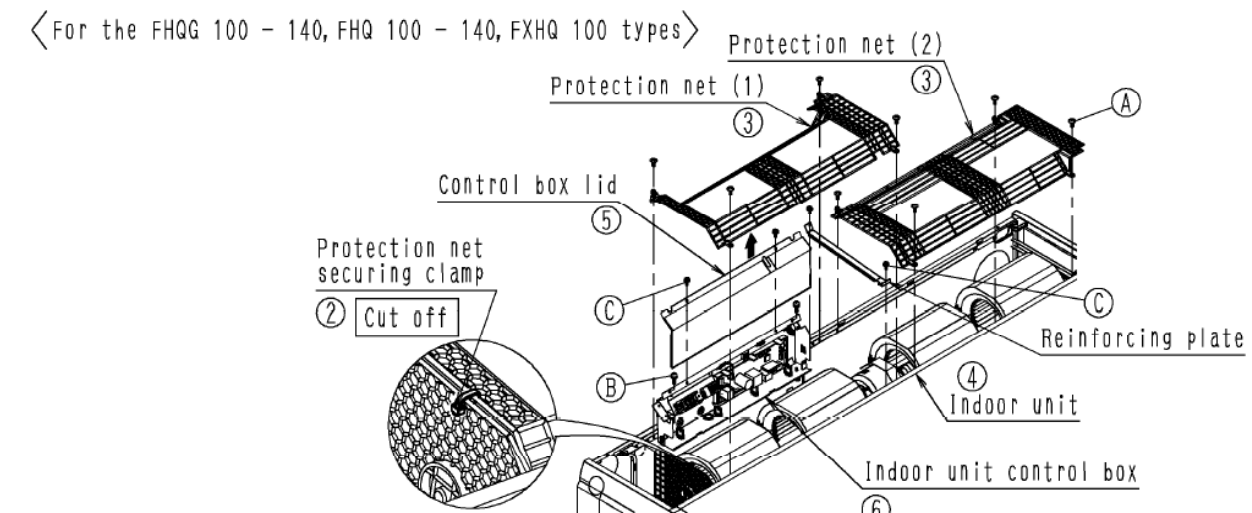


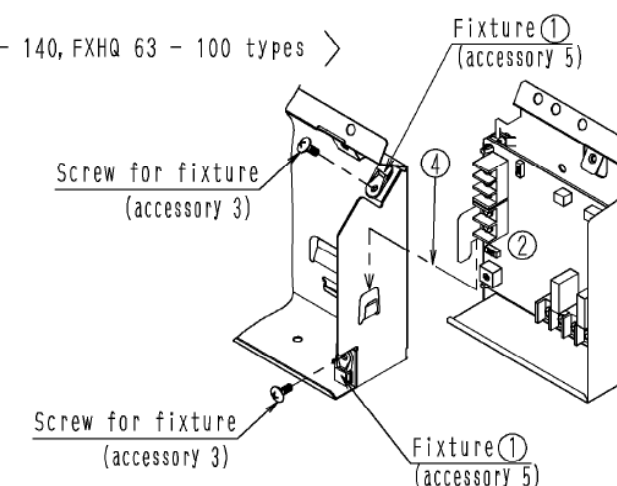
Fig. 3

2 Installation of adapter printed circuit board

• For FHP 35 - 50, FXHQ 32 types refer to the manual provided with "Installation plate for adapter box".

- Install the fixture (accessory 5) using the screws for the fixture (accessory 3) on the control box.
- Install the adapter printed circuit board on the adapter installation box.
 - For the attachment direction of the adapter printed circuit board, please refer to the manual provided with the adapter printed circuit board.
- Perform the electric wiring work for the adapter printed circuit board.
 - Refer to the manual provided with the adapter printed circuit board for the connecting positions of the wiring.
- Temporarily hook the adapter installation box on the control box of the indoor unit.

< For the FHQG 71 - 140, FHQ 60 - 140, FXHQ 63 - 100 types >



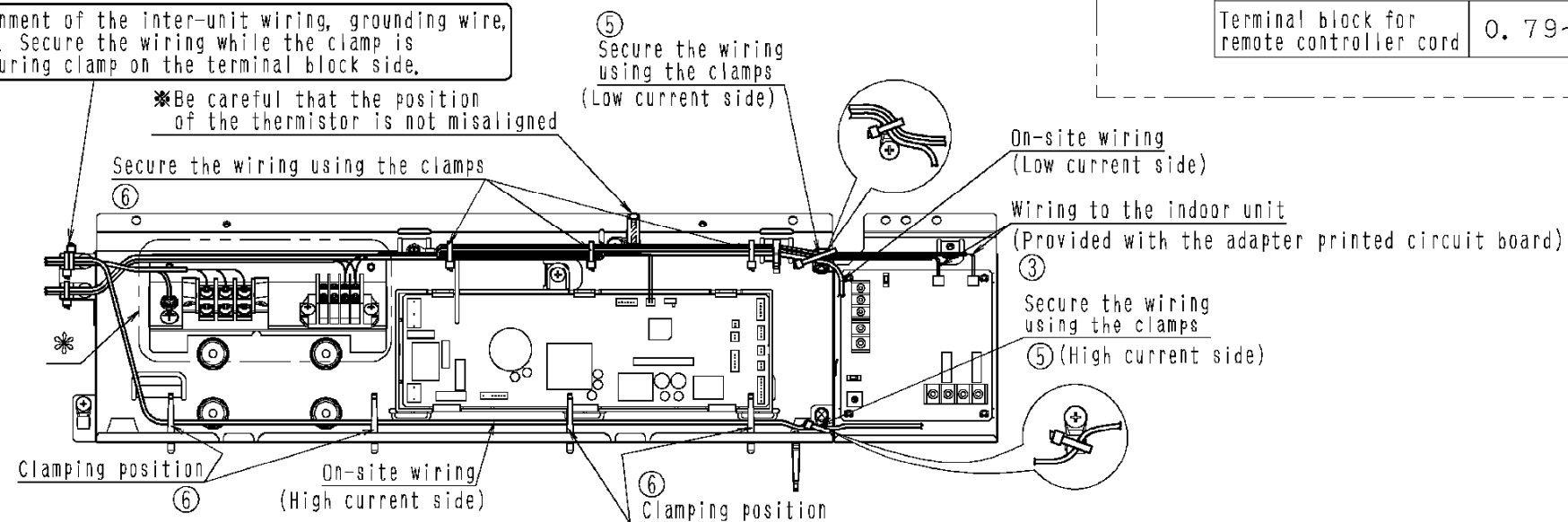
Continues on back side

2 Installation of adapter printed circuit board

- ⑤ Perform the wiring work for the indoor unit,
 - Refer to the manual provided with the adapter printed circuit board for the terminals for connection on the low current side <P1, P2><F1, F2>.
 - Split the electric wiring between high current and low current, and perform the wiring work inside the control box with reference to the figure below.
 - Secure the electric wiring removed from the adapter printed circuit board to the fixture installed in step ① using the accessory clamp or clamp provided with the adapter printed circuit board. Be careful not to place any tension on the connecting section of the wires.
- ⑥ Secure the wiring.
 - Secure the extra electric wiring in the control box with reference to the figure below using the clamps (accessory 7) provided or the clamp provided with the adapter printed circuit board. Be careful not to place any tension to the connecting section of the wires. Alternatively, secure the wiring using the clamp and store it in the control box.

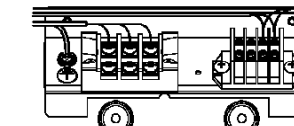
<For the FHQG 71 - 140, FHQ 60 - 140, FXHQ 63 - 100 types>

To prevent misalignment of the inter-unit wiring, grounding wire, and on-site wiring, secure the wiring while the clamp is adhered to the securing clamp on the terminal block side.

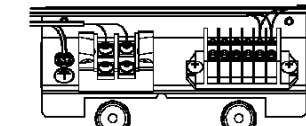


<Note>

The part with * mark varies per indoor units.



For the FHQG 71 - 140
FHQ 60 - 140 types



For the FXHQ 63 - 100 types

Refer to the manual provided with the adapter printed circuit board for the terminals for connection on the low current side <P1, P2><F1, F2>.

3 Installation on indoor unit

- For FHQ 35 - 50, FXHQ 32 types, refer to the manual provided with "Installation plate for adapter box".
- ① Install the control box, adapter installation box,
 - Be sure to return the clamps removed during the installation to their original positions.
 - At this time, check that the wires for the top plate(*) and the bottom of the lower control box(**) are clamped.
 - ② Install the adapter installation box lid using the installation screws (accessory 4), and then install the control box lid.
 - Take out the air thermistor from the hole of the control box lid, and install it so that the wiring is not caught by the control box lid.

- ③ For the FHQG 100 - 140, FHQ 100 - 140, FXHQ 100 types, install the reinforcing plate on the indoor unit.
- ④ Install protection nets (1) and (2) (for the FHQG 100 - 140, FHQ 100 - 140, FXHQ 100 types) on the indoor unit.
- ⑤ Return the clamps for securing the protection net to its original installation position.
- ⑥ Return the suction grille to its original installation position.
 - Be careful that the wiring is not caught during installation.

<For the FHQG 100 - 140, FHQ 100 - 140, FXHQ 100 types>

<For the FHQG 71, FHQ 60 - 71, FXHQ 63 types>

